



Modular Cooking Range Line 700XP Full Module Gas PowerGrill Top

ITEM # _____

MODEL # _____

NAME # _____

SIS # _____

AIA # _____



371043 (E7GRGHGC0P)

* NOT TRANSLATED *

Main Features

- Unit to be mounted on open base cupboards, bridging supports or cantilever systems.
- Stainless steel burners with flame failure device, optimized combustion and protected pilot light.
- AISI 441 stainless steel deflective shields located below the radiants prevent burners from clogging, minimize flare ups and ensure even heat distribution (PATENT PENDING).
- Dishwasher-safe radiants removable without the use of tools to facilitate cleaning.
- Stainless steel high splash guards on the rear and sides of cooking surface. Splash guards can be easily removed for cleaning and are dishwasher-safe.
- Cooking grids made in highly resistant enameled cast iron for easy cleaning.
- Suitable for countertop installation.

Construction

- All exterior panels in Stainless Steel with Scotch Brite finishing.
- One piece pressed 1.5 mm work top in Stainless steel.
- Model has right-angled side edges to allow flush fitting joints between units, eliminating gaps and possible dirt traps.
- IPX4 water resistance certification.

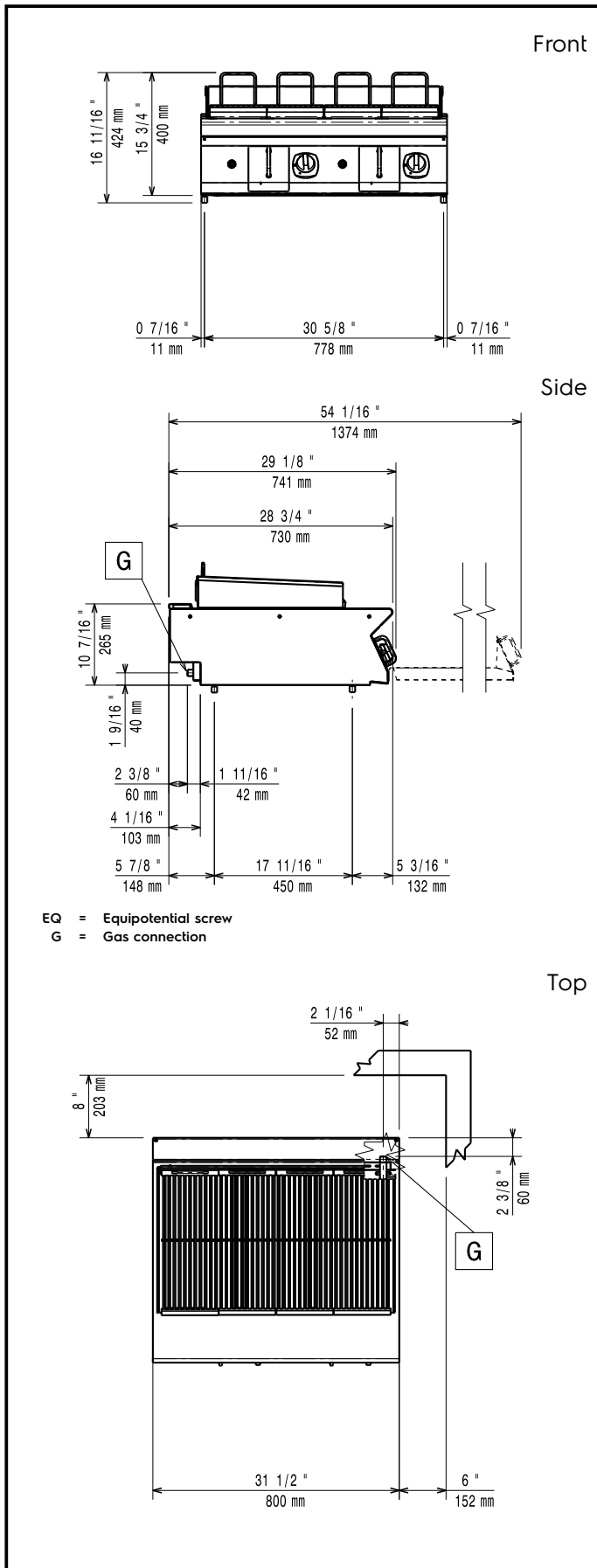
APPROVAL: _____



Experience the Excellence
www.electroluxprofessional.com

Optional Accessories

• Junction sealing kit	PNC 206086	<input type="checkbox"/>
• Draught diverter with 150mm diameter	PNC 206132	<input type="checkbox"/>
• Matching ring for flue condenser	PNC 206133	<input type="checkbox"/>
• Support for bridge type system, 800mm	PNC 206137	<input type="checkbox"/>
• Support for bridge type system, 1000mm	PNC 206138	<input type="checkbox"/>
• Support for bridge type system, 1200mm	PNC 206139	<input type="checkbox"/>
• Support for bridge type system, 1600mm	PNC 206141	<input type="checkbox"/>
• Flue condenser for 1 module, 150 mm diameter	PNC 206246	<input type="checkbox"/>
• Right and left side handrails	PNC 206307	<input type="checkbox"/>
• BACK HANDRAIL 800 MM - MARINE	PNC 206308	<input type="checkbox"/>
• Scraper kit with hooks for HP grills	PNC 206347	<input type="checkbox"/>
• Base support for feet or wheels - 1200mm (700/900)	PNC 206368	<input type="checkbox"/>
• - NOT TRANSLATED -	PNC 206462	<input type="checkbox"/>
• Frontal handrail 800mm	PNC 216047	<input type="checkbox"/>
• Frontal handrail 1200mm	PNC 216049	<input type="checkbox"/>
• Frontal handrail 1600mm	PNC 216050	<input type="checkbox"/>
• Large handrail - portioning shelf, 800mm	PNC 216186	<input type="checkbox"/>
• 2 side covering panels for top appliances	PNC 216277	<input type="checkbox"/>
• Pressure regulator for gas units	PNC 927225	<input type="checkbox"/>



Gas

Gas Power:	371043 (E7GRGHGC0P)	14 kW
Standard gas delivery:		Natural Gas G20 (20mbar)
Gas Type Option:		
Gas Inlet:		1/2"

Key Information:

Cooking surface width:	742 mm
Cooking surface depth:	472 mm
Net weight:	60 kg
Shipping weight:	88 kg
Shipping height:	580 mm
Shipping width:	820 mm
Shipping depth:	860 mm
Shipping volume:	0.41 m ³

If appliance is set up or next to or against temperature sensitive furniture or similar, a safety gap of approximately 150 mm should be maintained or some form of heat insulation fitted.

Certification group: N7EGG